

SP740P



Display size  
**22"- 40"**



Max load  
**80lb (36kg)**

**SMARTMOUNT**

# Pivoting Wall Mount

FOR 22" TO 40" DISPLAYS

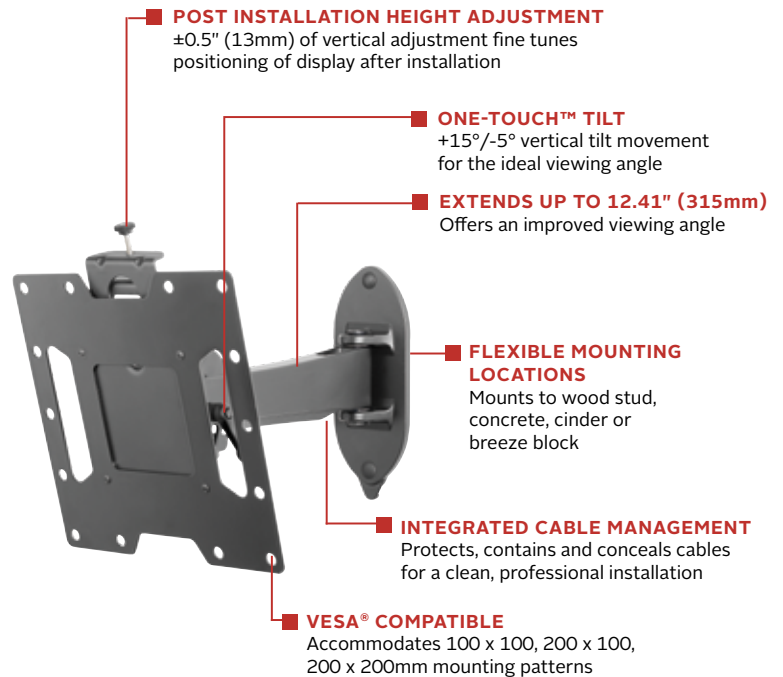
The SmartMount® Pivoting Wall Mount series offers the most versatile installation features and mounting options. Vertical adjustment ability allows for post installation leveling, making it easier than ever to find the perfect display position. With SP740P, extend the display up to 12.41" (315mm) or fully-retract it to just 3.03" (77mm) from the wall for an improved viewing angle. The display can now simply be installed by a single person with the Hook-and-Hang™ system. One-Touch™ tilt technology offers +15°/-5° vertical tilt movement for the ideal viewing angle. Integrated cable management protects, contains and conceals cables for a clean installation.

*The Pivoting Wall Mount extends, turns and tilts for improved viewing position.*



## Additional Features

- ✓ Retracts to hold display just 3.03" (77mm) from the wall
- ✓ ±90° of pivot allows for perfect display positioning
- ✓ Easy leveling ±5° after display installation
- ✓ Quick and easy, Hook-and-Hang™ one-person installation
- ✓ Landscape or portrait mounting options increases display versatility
- ✓ Includes all necessary wall and display attachment hardware
- ✓ Design is UL listed and tested to four times stated load capacity



Extend, turn, tilt, or retract the display for an improved viewing angle



Integrated cable management keeps cords and cables out of the way



Comes in color packaging with included installation hardware and easy to follow instructions.



Please visit [peerless-av.com/en-us/patents](http://peerless-av.com/en-us/patents) for patent information.

info@peerless-av.com  
peerless-av.com

**peerless-AV**®

<b>SP740P</b>	SmartMount® Pivoting Wall Mount for 22" to 40" Displays
---------------	---

**Product Specifications**

	DIMENSIONS (W x H x D)	PRODUCT WEIGHT	LOAD CAPACITY	FINISH	AVAILABLE COLORS
<b>SP740P</b>	15.35" x 10.15" x 3.03"-21.41" (390 x 258 x 77-315mm)	5.40lb (2.45kg)	80lb (36kg)	Scratch resistant fused epoxy	Semi-gloss black

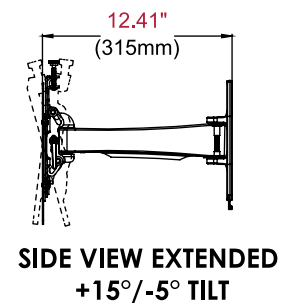
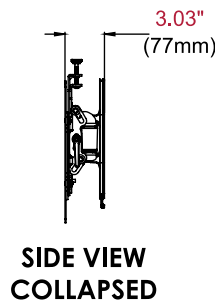
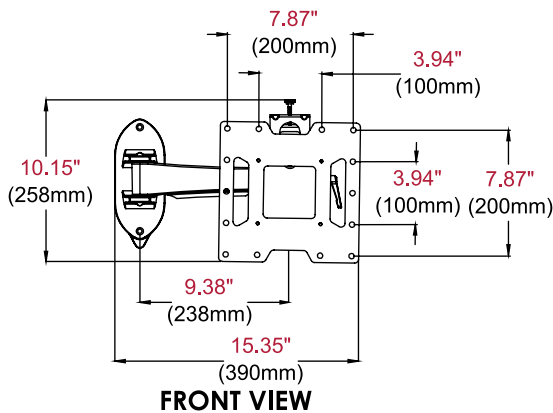
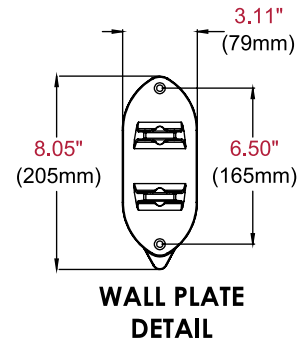
**Package Specifications**

	PACKAGE SIZE (W x H x D)	PACKAGE SHIP WEIGHT	PACKAGE UPC CODE	PACKAGE CONTENTS	UNITS IN PACKAGE
<b>SP740P</b>	20.50" x 4.19" x 12.00" (521 x 106 x 305mm)	7.87lb (3.57kg)	735029237341	Wall mount, wall and display installation hardware, installation instructions	1

**Accessories**

- ACC4X4:** VESA® 400 x 400mm Adaptor Plate
- WSP700/WSP701:** Metal Stud Wall Plates for 16"/24" Center Metal Studs

All dimensions = inch (mm)



**Architect Specifications**

The Smartmount® Pivoting Wall Mount shall be a Peerless-AV model SP740P and shall be located where indicated on the plans. Assembly and installation shall be done according to instructions provided by the manufacturer.

Visit [peerless-av.com](http://peerless-av.com) to see the complete line of AV solutions from Peerless-AV, including outdoor displays, wireless, kiosks, digital audio, display mounts, projector mounts, carts/stands, and a full assortment of accessories.

**Peerless-AV**  
2300 White Oak Circle  
Aurora, IL 60502 USA  
  
**(800) 865-2112**  
**(630) 375-5100**  
**Fax: (800) 359-6500**

**Peerless-AV Europe**  
Unit 3 Watford Interchange  
Colonial Way, Watford  
Herts, WD24 4WP  
United Kingdom  
**+44 (0) 1923 200100**  
**Fax: +44 (0) 1923 200101**

**Peerless-AV de México**  
Ave de las Industrias 413  
Parque Industrial Escobedo  
Escobedo, N.L.,  
Mexico 66050  
**+52 (81) 8384-8300**  
**Fax: +52 (81) 8384-8360**

